



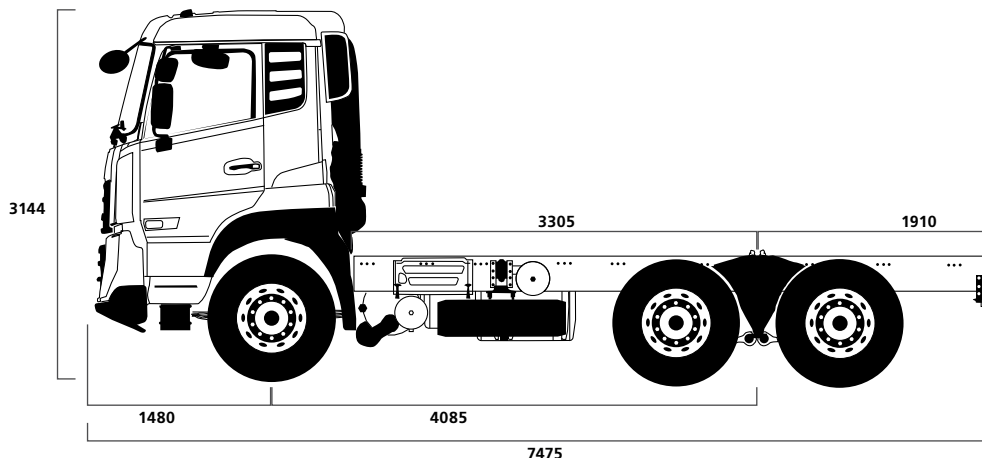
UD TRUCKS

Quester

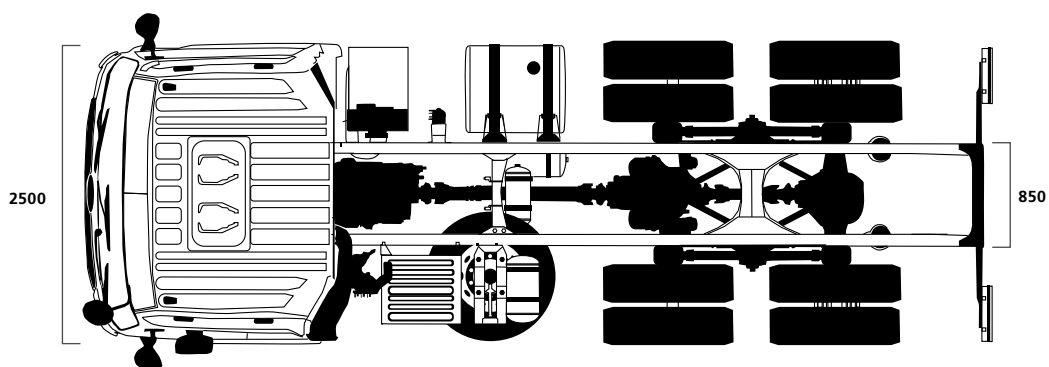
CWE370

E25

VEHICLE		E25
Model		CWE370
Manufacturers Code		CWE64R11MS
Model Description		6x4 Dump
MASS		
Tare – total (T) *	kg	8 380
Tare Frt / Rr	kg	4 380/4 000
GVM	kg	31 000
V	kg	25 700
GCM	kg	45 000
D/T	kg	45 000
Axle – front GA/GAU	kg	8 000
Axle – front A/AU	kg	7 700
Axle – rear GA/GAU	kg	23 000
Axle – rear A/AU	kg	18 000
* Tools included in tare		Yes
* Spare wheel included in tare		Yes
* Fifth wheel included in tare		No
PERFORMANCE		
Gradeability at V	%	113.4
Gradeability at D/T	%	46.5
Max. geared road speed	km/h	123
MAJOR DIMENSIONS		
Overall length	mm	7 475
Overall width	mm	2 500
Wheelbase	mm	4 085
CA – cab to bogie/rear axle	mm	3 305
Turning radius (curb to curb)	mm	7 900
ENGINE		
Model		GH11E
Capacity	cm ³	10 837
Layout		In line six cylinder
Type		Turbo Intercooled (Unit Injectors)
Power at r/min	kW	278 @ 1 900
Torque at r/min	Nm	1 734 @ 1 000 – 1 400
Emissions standard		EUR III
TRANSMISSION		
Model		STO2009
Type		Synchro
Shift		Manual
No. of gears forward		9
First gear ratio		13.96
Top gear ratio		0.73
Transmission PTO		700 Nm, 50% – 135% eng speed, CCW viewed from rear, DIN 5462-4 hole



CLUTCH		
Model		Ceramic
Type		Dry Single Plate
Diameter	mm	430
Operation		Air assisted Hydraulically Operated
DRIVE AXLE		
Model		RTS2670B
Reduction type		Single Reduction Tandem
Final ratio		4.63
SUSPENSION		
Front		Parabolic Springs
Rear		Multileaf Spring
Shock absorbers		Front Standard
Stabilisers		Front Standard
STEERING		
Operation		Power Assisted
BRAKES		
System type		Full Air
Front		S-cam Drum Brake
Rear		S-cam Drum Brake
Electronic brake system		ABS
Park/emergency system		Spring brake -front and rear
Exhaust brake		Standard
Engine brake		Standard
Retarder		Without
ELECTRICAL & FUEL		
Fuel tank 1 capacity	ltrs	315
Fuel tank 2 capacity	ltrs	None
TYRES		
Size – front		315/80R22.5
Size – rear		315/80R22.5
CAB		
Type		Standard roof single sleeper (Without cab back mattress)
Cab suspension		Mechanical suspension
No. of bunks		1
No. of seats		2
Seat Belts		Standard – ELR with Reminder
Seats		Fully adjustable air suspension(Driver), Fixed passenger
Air conditioning		Standard
Radio/USB		Standard
On-board computer		Multi Display function
Tilt cab		Mechanical
Speed limiter	km/h	80
Rear View Mirrors		6 total (Front and LHS close proximity, rear and wide angle RHS & LHS)
12 Volt Power Outlet		Standard in Dash
Rear lower storage underbunk		Without
Driver Fuel Coaching Tool		Standard
Telematics Communication Gateway		Gateway with GSM/GPRS/EDGE



Specifications and options may differ depending on each country due to regulations or special requirements. Dimensions and devices may be changed without prior notice. Please contact your nearest UD Trucks dealer for further details.

