

# PKC Series - Euro 5

## MODEL: PK 16-280 - PK 17-280

PKC280/PKC280AS-Automatic

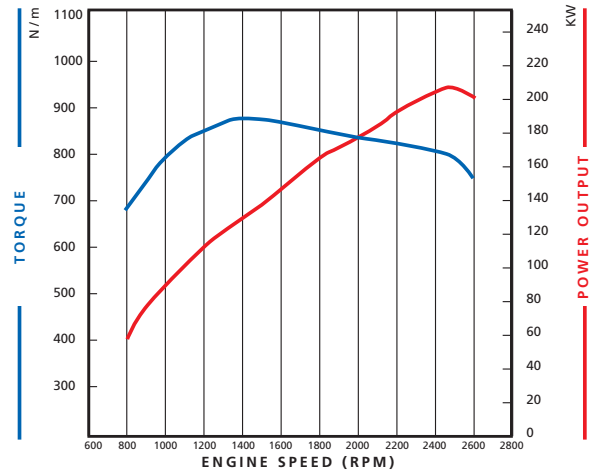
GVW 16500kg

GCW 28500kg



ENGINE:	
<b>Engine</b>	
Model	UD Trucks GH7
Type	Six cylinder inline, OHC, 4 valves per cylinder, 4 stroke, direct injection, turbo charged diesel with intercooler
Displacement	7013cc
Bore and stroke	110 x 123mm
Maximum Power ECE	206Kw (280ps) at 2500rpm (nett)
Maximum Power JIS	214Kw (291ps) at 2500rpm (gross est)
Maximum torque ECE	883 Nm (651lb/ft) at 1400rpm (nett)
Maximum torque JIS	917Nm (676lb/ft) at 1400rpm (gross est)
On load max rpm	2600
Compression ratio	17.5:1
Oil capacity	17.4 litres
Lubrication system	Forced feed by gear pump
Air cleaner	Dry paper element type
Standard air intake	Snorkel type at rear of cab
Emission standard	Euro 5
SCR system	Selective Catalytic Reduction

UD TRUCKS MOTOR GH7 ENGINE PERFORMANCE CURVE



Engine Cooling System	
Radiator	Corrugated fin type
Water pump	Centrifugal
Header tank	Expansion type fitted
Temperature control	Wax pellet type thermostat
Lubricating oil	Oil cooler fitted
Fan	11 blade, mounted on viscous hub

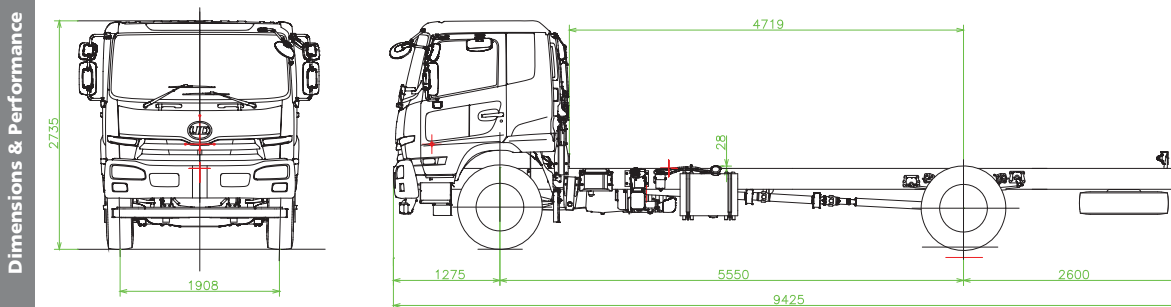
DRIVELINE, ELECTRICAL & FUEL:	
<b>Front Axle</b>	
Model	UD Trucks Dropped Forged reverse Elliot "I" Beam Rated at 6,500kg
<b>Rear Axle</b>	
Model	UD Trucks
Type	Fully floating pressed steel banjo housing
Factory rated at	11,00kg
<b>Differential</b>	
Model	UD Trucks
Type	Single reduction hypoid
Standard Ratio	6.166:1

Gearbox	
Model	Allison 3060P fully automatic six forward speeds and one reverse
Gearshift	Automatic
Ratios	1st 3.49 2nd 1.86 3rd 1.41 4th 1.00 5th 0.75 6th 0.65 Rev 5.03
<b>Electrical System</b>	
System	24 volt negative earth
Batteries	2 x 12 volt 115 Ah.
Alternator	130 amp with built-in IC regulator
<b>Fuel system</b>	
Tank Capacity	200 litre steel tank on LHS chassis
Fuel system	Electronic controlled common rail injection system
Fuel filter	Cartridge type primary and secondary filters with water separator.
AdBlue tank	50 litre capacity

# PK 16-280/Auto - PK 17-280/Auto

CHASSIS	Chassis		Suspension	
	Type	Ladder channel section side rails	Front	3 x Semi-elliptic tapered leaf springs. 80 x 1400mm
Dimension	250/ x 80 x 8mm	Spring constant	33.5 kg / mm per spring	
Width	860mm	Rear - Spring Option	Semi-elliptic 2 stage leaf. 9 main springs 80mm x 1600mm 8 helper springs 80mm x 1100mm	
Material	Pressed carbon steel	Spring constant	112.5kg/mm	
Brakes	<b>Brakes</b>	Rear - Air Option	Hendrickson HAS230, 2 bag fully floating with torque rod and shock absorbers	
Service	Full air dual line system, automatic adjusting taper roller			
Drum dimensions	410mm			
Front	2,480 cm <sup>2</sup>			
Rear	1,672 cm <sup>2</sup>			
Total lining	6,128 cm <sup>2</sup>			
Parking brakes	Spring brakes acting on rear wheels			
Auxiliary brakes	Exhaust butterfly type brake			
ABS	Wabco 4 channel			
			<b>Steering &amp; Wheels</b>	
		Type	Integral power assisted recirculating ball steering box	
		Reduction ratio	22.42:1	
		Steering wheel	460mm diameter moulded polyurethane grip	
		Steering column	Fore / aft tilt, telescopic and lockable	
		Road Wheels	Pressed steel disc 8.25 x 22.5, 10 stud, 165mm offset	
		Tyres	275/75 R 22.5 tubeless radials	

CAB & INSTRUMENTS	Gauges		Interior	
	Instrument gauges	Fuel, dual air pressure, tachometer, AdBlue gauge. Speedometer with odometer and trip meter	Drivers seat	Cloth trimmed high-back multi adjustable air suspended seat with automatic height control. 3 point ELR lap sash seatbelts
Multi Display	Water temperature, Engine oil temperature, Engine oil pressure day, date and time, service intervals	Passengers seat	Cloth trimmed reclining high-back type fixed seat with 3 point ELR lap sash seatbelts	
	<b>Warning Devices</b>	Sun visors	Driver and passenger side	
Warning lamps	Engine control warning, low air pressure, Low brake fluid, ABS, parking brake/spring brake, hazard, air filter element, low oil pressure, battery charge, SCR warning indicator	Overhead tray	Document holders on drivers and passenger side	
Indicator lamps	Turn signal, Exhaust brake, air heater, high beam, cruise control	Cup holder	Slide out of dash	
	<b>Audible warning</b>	Floor covering	Vinyl	
Devices include	Low brake fluid, low air pressure, coolant level and overheating, reversing, oil temp, engine over run, EHS system	Bunk	Bed in rear of cab, cloth trimmed type	
	<b>Exterior</b>		<b>Standard equipment</b>	
Type	Steel Construction fully suspended forward control ECE R29 compliant	Control switches	Two stalk controls which incorporate 1. Turn signal, lighting, cruise control 2. Wiper/washer/engine/exhaust brake, hazard warning	
Cab suspension	Spring suspension with hydraulic shock absorbers	Features	<ul style="list-style-type: none"> <li>SRS Drivers air bag with seatbelt pre-tensioner</li> <li>Door intrusion bars</li> <li>Air conditioner/Heater demister</li> <li>4 mode operation with 4 speed fan</li> <li>Engine idling control button</li> <li>Electric windows</li> <li>Central Locking with keyless entry</li> <li>AM/FM radio with CD player</li> </ul>	
Tilting	Torsion bar type		<ul style="list-style-type: none"> <li>Cigar lighter</li> <li>Electric horn</li> <li>Foot rest</li> <li>Spare tyre</li> <li>Equipped tyre carrier</li> <li>Tool kit</li> </ul>	
Windshield	Laminated tinted safety glass	Lamps	<ul style="list-style-type: none"> <li>Halogen head lamps</li> <li>Hazard / Turn signal / Clearance lamps</li> <li>Stop / Tail lamps</li> <li>Reversing Lamp</li> <li>License plate lamp</li> </ul>	
Windshield wiper	Two arms, dual speed with intermittent operation			
Side and rear windows	Tinted safety glass			
Cab front lid	Hinged for easy checking of maintenance (clutch fluid, coolant, washer reservoir)			
Mirrors	Heated and electrically operated main mirrors. Passenger side rear and downward spotter mirrors			



### Cab & Chassis Weights Kg

With 200 litres of fuel, 50 litres AdBlue, spare wheel and tools

Model	Front	Rear	Total
PK 16-250/A Leaf	3300	2130	5450
PK 17-250/A Air	3290	2120	5410

**IMPORTANT NOTICE:** Weights obtained by weighing a vehicle on a NZ Govt. certified weighbridge. Please note that weights may vary from unit to unit.



**UD TRUCKS**