

PKC Series - Euro 5

MODEL: PK 16-250/9 - PK 17-250/9

PKC245/PKC245AS-9 speed

4 x 2

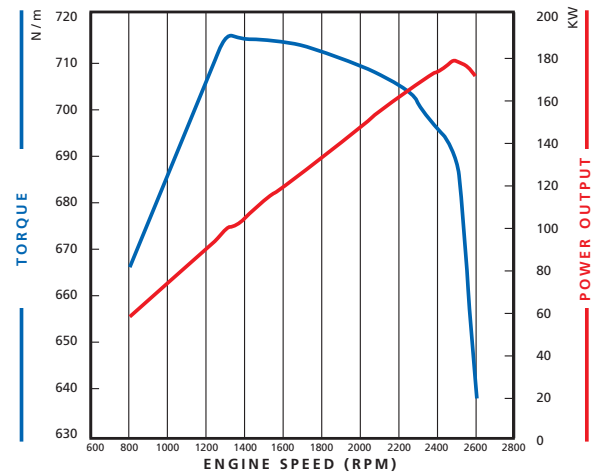
GVW 16500kg

GCW 26000kg



ENGINE:	
Engine	
Model	UD Trucks GH7
Type	Six cylinder inline, OHC, 4 valves per cylinder, 4 stroke, direct injection, turbo charged diesel with intercooler
Displacement	7013cc
Bore and stroke	110 x 123mm
Maximum Power ECE	180Kw (245ps) at 2500rpm (nett)
Maximum Power JIS	187Kw (254ps) at 2500rpm (gross est)
Maximum torque ECE	716 Nm (528lb/ft) at 1400rpm (nett)
Maximum torque JIS	744Nm (548lb/ft) at 1400rpm (gross est)
On load max rpm	2600
Compression ratio	17.5:1
Oil capacity	17.4 litres
Lubrication system	Forced feed by gear pump
Air cleaner	Dry paper element type
Standard air intake	Snorkel type at rear of cab
Emission standard	Euro 5
SCR system	Selective Catalytic Reduction

UD TRUCKS MOTOR GH7 ENGINE PERFORMANCE CURVE



Radiator	Corrugated fin type
Water pump	Centrifugal
Header tank	Expansion type fitted
Temperature control	Wax pellet type thermostat
Lubricating oil	Oil cooler fitted
Fan	11 blade, 600mm, mounted on viscous hub

Engine Cooling System

DRIVELINE, ELECTRICAL & FUEL:	
Clutch	
Make	Nissan Diesel
Type	Dry single plate, Air servo-assisted Hydraulically operated release system
Clutch diameter	350mm
Front Axle	
Model	UD Trucks Dropped Forged reverse Elliot "I" Beam Rated at 6500kg
Rear Axle	
Model	UD Trucks
Type	Fully floating pressed steel banjo housing
Factory rated at	11,000kg
Differential	
Model	UD Trucks
Type	Single reduction hypoid
Standard Ratio	4.111:1

Model	Eaton ES-11109. Nine forward speeds, Two reverse Synchronesh on all forward gears. Constantmesh on reverse																					
Gearshift	Mechanical remote control																					
Ratios	<table border="1"> <thead> <tr> <th></th> <th>LOW</th> <th>HIGH</th> </tr> </thead> <tbody> <tr><td>Low</td><td>12.64</td><td></td></tr> <tr><td>1st</td><td>8.81</td><td>2.48</td></tr> <tr><td>2nd</td><td>6.55</td><td>1.85</td></tr> <tr><td>3rd</td><td>4.77</td><td>1.34</td></tr> <tr><td>4th</td><td>3.55</td><td>1.00</td></tr> <tr><td>Rev</td><td>13.21</td><td></td></tr> </tbody> </table>		LOW	HIGH	Low	12.64		1st	8.81	2.48	2nd	6.55	1.85	3rd	4.77	1.34	4th	3.55	1.00	Rev	13.21	
	LOW	HIGH																				
Low	12.64																					
1st	8.81	2.48																				
2nd	6.55	1.85																				
3rd	4.77	1.34																				
4th	3.55	1.00																				
Rev	13.21																					
System	24 volt negative earth																					
Batteries	2 x 12 volt 115 Ah.																					
Alternator	130 amp with built-in IC regulator																					
Tank Capacity	200 litre steel tank on LHS chassis																					
Fuel system	Electronic controlled common rail injection system																					
Fuel filter	Cartridge type primary and secondary filters with water separator.																					
AdBlue tank	50 litre capacity																					

Gearbox

Electrical System

Fuel system

PK 16-250/9 - PK 17-250/9AS

CHASSIS	Chassis		Suspension		
	Type	Ladder channel section side rails	Front	3 x Semi-elliptic tapered leaf springs. 80 x 1400mm	
	Dimension	250/ x 80 x 8mm	Spring constant	33.5 kg / mm per spring	
	Width	860mm	Rear - Spring Option	Semi-elliptic 2 stage leaf. 9 main springs 80mm x 1600mm 8 helper springs 80mm x 1100mm	
	Material	Pressed carbon steel	Spring constant	112.5kg/mm	
	Brakes	Brakes		Rear - Air Option	Hendrickson HAS230, 2 bag fully floating with torque rod and shock absorbers
	Service	Full air dual line system, automatic adjusting taper roller drum brakes		Steering & Wheels	
	Drum dimensions	410mm		Type	Integral power assisted recirculating ball steering box
	Front	2,480 cm ²		Reduction ratio	22.42:1
	Rear	1,672 cm ²		Steering wheel	460mm diameter moulded polyurethane grip
Total lining	6,128 cm ²		Steering column	Fore / aft tilt, telescopic and lockable	
Parking brakes	Spring brakes acting on rear wheels		Road Wheels	Pressed steel disc 8.25 x 22.5, 10 stud, 165mm offset	
Auxiliary brakes	Exhaust butterfly type brake		Tyres	275/75 R 22.5 tubeless radials	
ABS	Wabco 4 channel				


CAB & INSTRUMENTS	Gauges		Interior	
	Instrument gauges	Fuel, dual air pressure, tachometer, AdBlue gauge. Speedometer with odometer and trip meter.	Drivers seat	Cloth trimmed high-back multi adjustable air suspended seat with automatic height control. 3 point ELR lap sash seatbelts
	Multi Display	Water temperature, Engine oil temperature, Engine oil pressure day, date and time, service intervals.	Passengers seat	Cloth trimmed reclining high-back type fixed seat with 3 point ELR lap sash seatbelts
	Warning lamps	Warning Devices Engine control warning, low air pressure, Low brake fluid, ABS, parking brake/spring brake, hazard, air filter element, low oil pressure, battery charge, SCR warning indicator.	Sun visors	Driver and passenger side.
	Indicator lamps	Turn signal, Exhaust brake, air heater, high beam, cruise control	Overhead tray	Document holders on drivers and passenger side
	Devices include	Audible warning Low brake fluid, low air pressure, coolant level and overheating, reversing, oil temp, engine over run, EHS system	Cup holder	Slide out of dash
	Type	Exterior Steel Construction fully suspended forward control ECE R29 compliant	Floor covering	Vinyl
	Cab suspension	Spring suspension with hydraulic shock absorbers	Bunk	Bed in rear of cab, cloth trimmed type
	Tilting	Torsion bar type	Control switches	Standard equipment Two stalk controls which incorporate 1. Turn signal, lighting, cruise control 2. Wiper/washer/engine/exhaust brake, hazard warning
	Windshield	Laminated tinted safety glass	Features	<ul style="list-style-type: none"> • SRS Drivers air bag with seat belt pre tensioner • Door intrusion bars • Air conditioner/Heater demister • 4 mode operation with 4 speed fan • Engine idling control button • Electric windows • Central Locking with keyless entry • AM/FM radio with CD player • Cigar lighter • Electric horn • Foot rest • Spare tyre • Equipped tyre carrier • Tool kit
Windshield wiper	Two arms, dual speed with intermittent operation.	Lamps	<ul style="list-style-type: none"> • Halogen head lamps • Hazard / Turn signal / Clearance lamps • Stop / Tail lamps • Reversing Lamp • License plate lamp 	
Side and rear windows	Tinted safety glass			
Cab front lid	Hinged for easy checking of maintenance (clutch fluid, coolant, washer reservoir)			
Mirrors	Heated and electrically operated main mirrors. Passenger side rear and downward spotter mirrors			

Dimensions & Performance

Cab & Chassis Weights Kg

With 200 litres of fuel, 50 litres AdBlue, spare wheel and tools			
Model	Front	Rear	Total
PK 16-250/9 Leaf	3220	2150	5370
PK 17 250/9 Air	3225	2100	5320

IMPORTANT NOTICE: Weights obtained by weighing a vehicle on a NZ Govt. certified weighbridge. Please note that weights may vary from unit to unit.



UD TRUCKS