



SERVICE NEWS LETTER 062

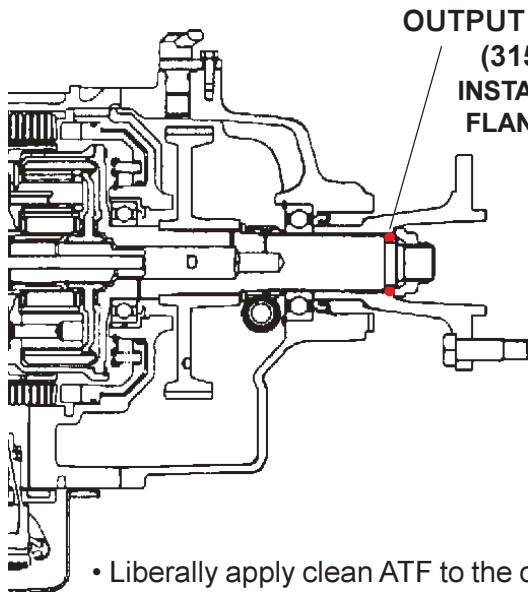
DATE: JULY 1, 2002
TO: UD DEALER SERVICE MANAGER
FROM: NDA SERVICE OPERATIONS DEPARTMENT
FILE IN THE POLICY SECTION OF THE TECHNICAL BULLETIN BINDER

AISIN AUTOMATIC TRANSMISSION REPLACEMENT PROCEDURE

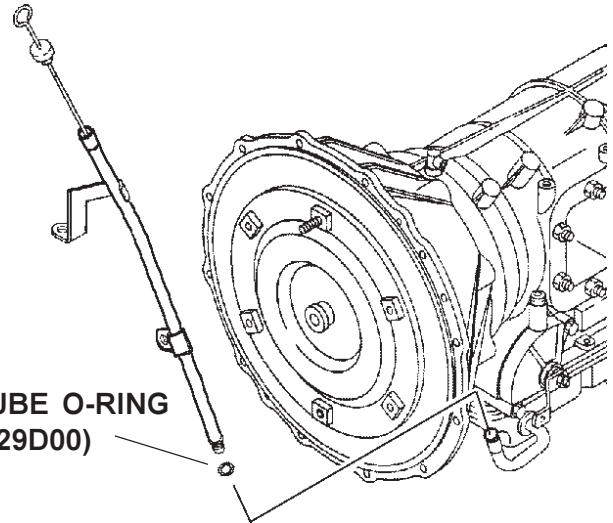
PURPOSE

The following information is to advise service technicians to utilize the dipstick tube o-ring and the output shaft o-rings that are supplied with all UD Remanufactured Aisin automatic transmissions.

SERVICE PROCEDURES



- Liberally apply clean ATF to the output shaft o-ring (part number 31526-29D05), as shown above, before installing.



- Liberally apply clean ATF to the dipstick tube o-ring (part number 31083-29D00), as shown above, before installing.

Please refer to Service News Letter 060 (Rev. B) dated June 7, 2002 for additional service procedures on the Aisin automatic transmission replacement procedures.

THE INFORMATION CONTAINED IN THIS BULLETIN SHOULD NOT BE CONSIDERED THE BASIS FOR WARRANTY CLAIMS

FOR THE INDICATED PERSONNEL BELOW, PLEASE READ, INITIAL, AND ROUTE TO THE FOLLOWING:

<input checked="" type="checkbox"/>	SERVICE MANAGER	<input checked="" type="checkbox"/>	WARRANTY MANAGER	<input checked="" type="checkbox"/>	SERVICE TECHNICIANS INITIAL BELOW:				
<input checked="" type="checkbox"/>	PARTS MANAGER	<input checked="" type="checkbox"/>	SHOP FOREMAN						