

**DATE:** JANUARY 2, 2003  
**MODEL YEAR:** 1999 AND AFTER  
**CHASSIS MODEL:** UD1800HD ~ UD3000  
**BULLETIN #:** BR - 08  
 FILE IN THE BRAKE SECTION OF THE TECHNICAL BULLETIN BINDER

## BRAKE FOOT VALVE NOISE

### **PURPOSE**

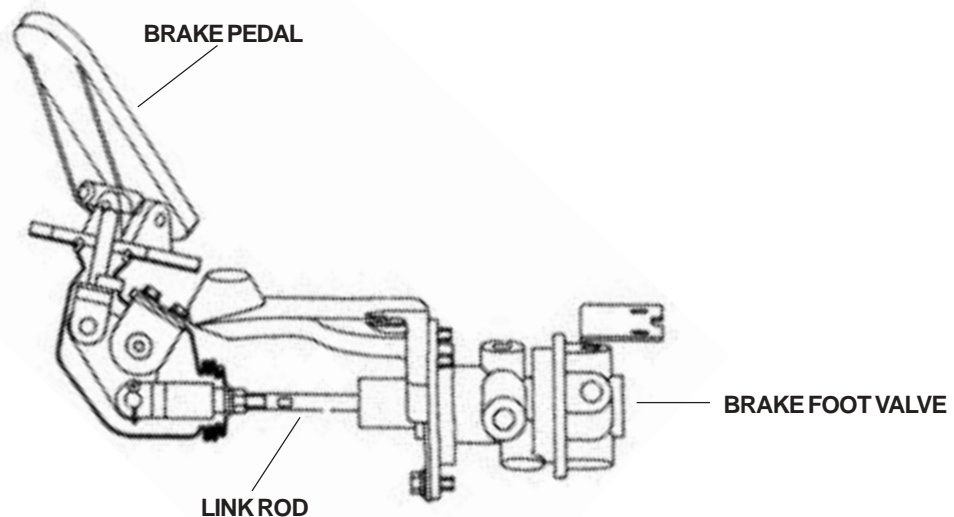
To advise UD Dealers of the adjustment procedures to correct complaints of brake foot valve noise.

### **SERVICE NOTICE**

Brake foot valve noise can be corrected by adjusting the link rod.

### **CORRECTION PROCEDURE**

Refer to the 1999 ~ 2003 Model Year UD Trucks Service Manual CD, Brake System, Air-Over-Hydraulic section, page BR3-3-11 Rev. 9/01. Follow the adjustment procedure and the operational check as described in steps #4 and #5.



<b>THE INFORMATION CONTAINED IN THIS BULLETIN SHOULD NOT BE CONSIDERED THE BASIS FOR WARRANTY CLAIMS</b>					
FOR THE INDICATED PERSONNEL BELOW, PLEASE READ, INITIAL, AND ROUTE TO THE FOLLOWING:					
<input checked="" type="checkbox"/>	SERVICE MANAGER	<input checked="" type="checkbox"/>	WARRANTY MANAGER	<input checked="" type="checkbox"/> SERVICE TECHNICIANS INITIAL BELOW:	
<input checked="" type="checkbox"/>	PARTS MANAGER	<input checked="" type="checkbox"/>	SHOP FOREMAN		