



# North America

**SUBJECT: Voluntary Safety Recall Campaign Number 11V-177  
Horizontal Headlamp Adjustment Mechanism**

Department: Service  
Section: Electrical  
Model(s): ALL  
Model Year(s): 2011  
Effective Date: April 9, 2011  
Form #: Recall Bulletin 11V-177  
Rev #: N/A  
Supersedes: N/A

**MODELS AFFECTED:**

Specific 2011MY UD1800, UD2000, UD2300, UD2600 and UD3300 model vehicles within the vehicle identification number ranges listed below.

		<b>Starting Sequence</b>	<b>Ending Sequence</b>
<b>2011</b>	UD1800	JNAM310H5BAH10003	JNAM310H9BAK10004
	UD2000	JNAL310H3BAE10004	JNAL310H6BAK10053
	UD2300	JNAG410H1BAH10008	JNAG410H6BAD10039
	UD2600	JNAA110H4BAN10008	JNAD410H3BAS10268
	UD3300	JNAK620L7BAE10004	JNAK620LXBAR10106

**DESCRIPTION:**

Specific 2011 Model vehicles listed above fail to comply with the requirements of Federal Motor Vehicle Safety Standard No. 108, "There shall be no horizontal adjustment of the low beam headlamp for visually/optical aiming headlamps".

As a remedy the following will be performed:

All subject vehicles within the above VIN breakpoints will have a prevention cap installed over the low beam horizontal headlamp adjustment mechanism.

Owners of the involved vehicles will be notified by mail and instructed to schedule an appointment with an authorized UD Truck Dealer to have this Safety Recall performed at no charge.

**ADMINISTRATION / DEALER RESPONSIBILITY:**

Dealers are requested to proceed immediately to make the necessary repair to the affected vehicles in new or used inventory.

**It is a violation of federal law for a dealer to deliver a new or used motor vehicle covered by a recall notice until the recall remedy has been performed.**

Owners of affected vehicles will receive an "Authorization for Recall Notification Service" card for the related recall. This postage pre-paid card must be filled out correctly and returned to the address on the card indicating whether the vehicle was repaired, transferred, sold, etc. (refer to the UD Warranty Policies & Procedures Manual, Part III, Section 1).

For vehicles without an "Authorization for Recall Service" card, check the vehicle identification number with the Vehicle Service Notification screen of the UD IntraNET Warranty Claim System menu.

**Federal regulations require that all vehicle lessors must notify all lessees within ten (10) days of receiving this notice.**

## SERVICE INFORMATION:

Before servicing the vehicle, read the entire set of instructions first. Observe the following safety precautions to prevent personal injury, damage to property, or both:

- If the involved vehicle has a label on the inside of the driver's left door as shown in Figure A, the recall have already been performed and no further action is required.

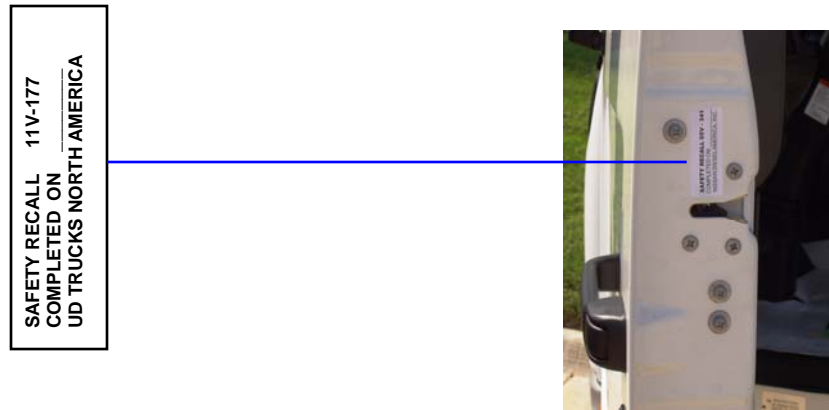
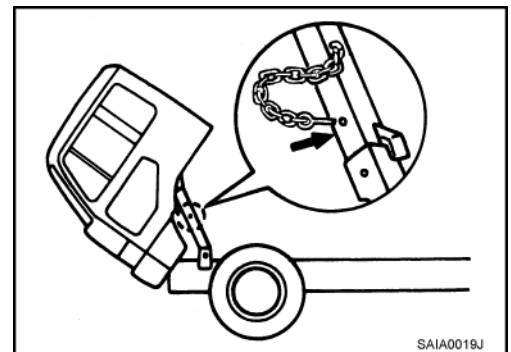


Figure A

- If the involved vehicle does not have the label on the inside of the driver's door, verify through the Vehicle Service Notification screen of the UD IntraNET system that the recall is required. Complete the safety recall according to the following instructions.
- Park the vehicle on a flat surface, place the transmission in NEUTRAL, set the parking brake and chock the rear wheels.
- Turn the engine off and allow the engine to cool.

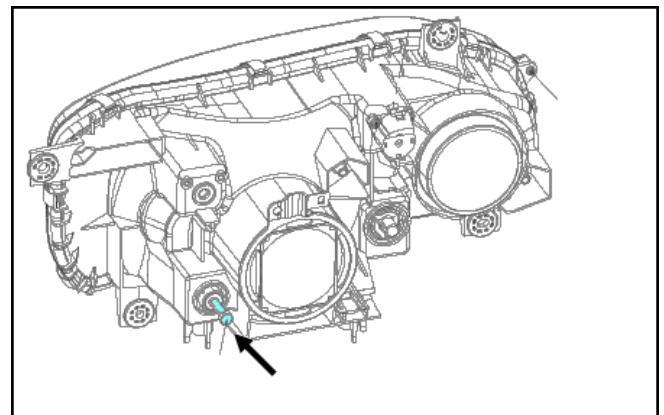
## SERVICE PROCEDURES:

- Tilt cab and insert safety pin so that the lock will not release



- From the backside of the headlamp assembly, locate the horizontal adjustment screw. This will be on the outboard side of the headlamp capsule.

Left side assembly shown in illustration.



## Service Procedures Continued

- Locate the plastic prevention caps placed in the overhead compartment at time of manufacture.



- Install the plastic prevention cap over the horizontal adjustment screw as illustrated:



Left Side



Right Side

**NOTE:** When installing the caps, push firmly until it clicks into place.

- Record the complete date on the Safety Recall 11V-177 sticker and apply to the driver's left side door as shown in Figure A on page 2.

SAFETY RECALL 11V-177 COMPLETED ON _____ UD TRUCKS NORTH AMERICA
--

### PARTS INFORMATION:

Repair parts are available through normal UD Truck repair parts procedures only **if they are not found in the overhead compartment.**

Part number: 260153Z70A    Kit contains two (2) plastic prevention caps

**WARRANTY INFORMATION: 11V-177**

Expenses for the repairs described in this Safety Recall are to be recovered through the standard UD Warranty Claim procedures listed in the UD Warranty Policies & Procedures Manual, Part V.

Use the following information to prepare your claim:

<b>WARRANTY CODE</b>	K729
<b>TROUBLE CODE</b>	88000145
<b>FAILED PART NUMBER/NAME</b>	260153Z70A
<b>REPAIR DESCRIPTION</b>	PERFORM SAFETY RECALL 11V-177
<b>LABOR OPERATION</b>	999X
<b>LABOR TIME ALLOWED</b>	0.3 hrs