



QUON 8-Litre

CG 30 360

8x4



SPECIFICATIONS

Power:	263 kW (357 PS) @ 2200 rpm
Torque:	1428 Nm (1055 lb.ft) @ 1200 rpm
Transmission:	Allison 3200 series
Rear Suspension:	Leaf spring
Wheelbase:	5185 mm
GVM:	28,500 kg - Allison
GCM:	28,500 kg - Allison

Note: CG 30 360 shown may not be representative of actual vehicle.

QUON UNIQUE FEATURES

-  **SMART FUEL EFFICIENCY AND RESPECT FOR THE ENVIRONMENT**
GH8 engine: fuel efficient, powerful and clean.
-  **SMART UPTIME**
Quon has been designed to further optimise uptime, with superior reliability and increased maintenance intervals.
-  **SMART SAFETY**
Active safety with mechanical and electronic features throughout.
-  **SMART PRODUCTIVITY**
Light weight chassis helping to maximise payload.
-  **SMART DRIVABILITY**
The cabin has been designed with the user's comfort in mind, with outstanding ergonomics and visibility allowing the driver to concentrate on driving.

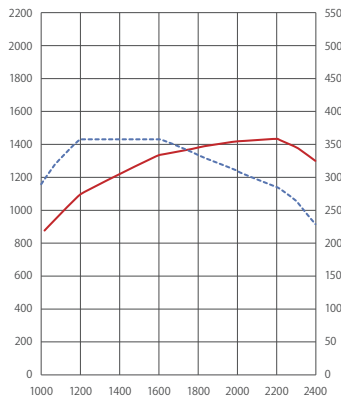
GENERAL SPECIFICATIONS

SAFETY

Passive Safety:	Highly rigid cabin Side door beams Front underrun protection system (FUPS) SRS driver steering wheel airbag Driver side seat belt with pre-tensioner Steering wheel & column with impact absorption function
Active Safety:	Traffic Eye Brake System Traffic Eye Cruise Control LDWS (Lane Departure Warning System) Electronic Stability Control (UDSC)
Basic Safety:	LED Headlamps Disc brakes Anti Locking Brake System Emergency Braking System UD Extra Engine Braking (UD EEB) Safe Brake Blending Immobiliser Two-step entry & exit

ENGINE

Model:	GH8F
Description:	6 cylinder, 4 stroke diesel engine
Displacement:	7,698 cc
Bore x stroke:	110 mm x 135 mm
Compression ratio:	17.5:1
Max. Power (ECE Net):	263 kW (357PS) @ 2,200 rpm
Max. Torque (ECE Net):	1,428 Nm (1,050 lb.ft) @ 1,200 rpm
Max. governed engine speed:	2,400 rpm



FUEL AND INTAKE SYSTEM

Fuel capacity:	190 litres
Injection type:	High pressure common rail direct fuel injection system
Filtration:	Chassis mounted primary filter and engine mounted secondary filter

EMISSION CONTROL

Emission standard:	pPNLT (Japan 2016)
Adblue capacity:	30 litres
Exhaust system:	RHS chassis mounted box muffler

ELECTRICAL

Power:	24 volt, negative ground system
Battery capacity:	2 x 12 volt 135 Ah batteries
Alternator:	110 amp

TRANSMISSION - ALLISON

Make:	Allison
Model:	3200 Series
Description:	6 speed fully automatic with Gen 5 adaptive shift
Shift type:	Push button shift selector
Gear ratios:	1st 3.49 2nd 1.86 Rev 1 5.03 3rd 1.41 4th 1.00 5th 0.75 6th 0.65
PTO capability:	DIN 5462; 650 Nm capacity

TORQUE CONVERTER

Make:	Allison
Model:	TC-418
Stall torque ratio:	1.98

FRONT AXLE AND SUSPENSION SYSTEM

Ground capacity:	13,000 kg
Axle type:	Reverse Elliot I-Beam
Suspension:	Parabolic leaf spring with shock absorbers
Spring dimensions:	90mm x 1460mm
Spring constant:	347.7 N/mm
Load distribution:	Front axles - loadshare

REAR AXLE AND SUSPENSION SYSTEM

Ground capacity:	20,000 kg
Axle type / model:	Single reduction, hypoid gear
Final reduction ratio:	5.67

LEAF SUSPENSION:

Description:	Multi-leaf spring suspension, rubber cushions
Leaf dimensions:	75mm x 1380mm

BRAKES

Type:	Electronic braking system (EBS) with disc brakes
Front/Rear:	430 mm rotors / 430 mm rotors
Park brakes:	Hand-operated pneumatic spring park brake on drive axles
Auxiliary brake:	Exhaust plus engine compression type (EEB)
Trailer connections:	Air and electrical connections to rear of chassis

STEERING

Type:	Recirculating ball and screw with hydraulic assist
Steering gear ratio:	24.1 - 26.8 : 1
Column:	Adjustable, tilt and telescopic control
Steering wheel:	460 mm diameter with ignition key steering lock

WHEELS & TYRES

Wheels:	8.25in x 22.5in rim with 165mm offset and ISO 10 stud pattern (335mm PCD)
Front tyres:	295/80 R22.5 Bridgestone
Rear tyres:	11R 22.5 Bridgestone
Spare tyre:	295/80 R22.5 Bridgestone

FRAME

Width:	850 mm
Side rail dimensions:	300 mm x 90 mm x 8 mm
Material:	Rolled high tensile carbon steel
Tensile strength:	600MPa

STANDARD DRIVER AIDS

Warning systems:	Visual warning lamps with audible warning tones, plus written warnings displayed on LCD screen
Driver assistance:	Driver information including: date, time, oil pressure, voltmeter, trip information Electronic stalk mounted cruise control GPS satellite navigation with HERE® truck mapping

INTERNAL CABIN

Lighting:	Dual ON/OFF/DOOR interior lights Interior neon cabin lamp
Seating capacity:	Three
Driver's seat:	Air-suspended seat with adjustable shock absorber, recliner, height control, armrest & lumbar adjustment
Passenger seat/s:	Assistant seat with adjustable head rest Foldable centre seat
Sleeping capability:	ADR 42/04 compliant sleeper bunk with mattress

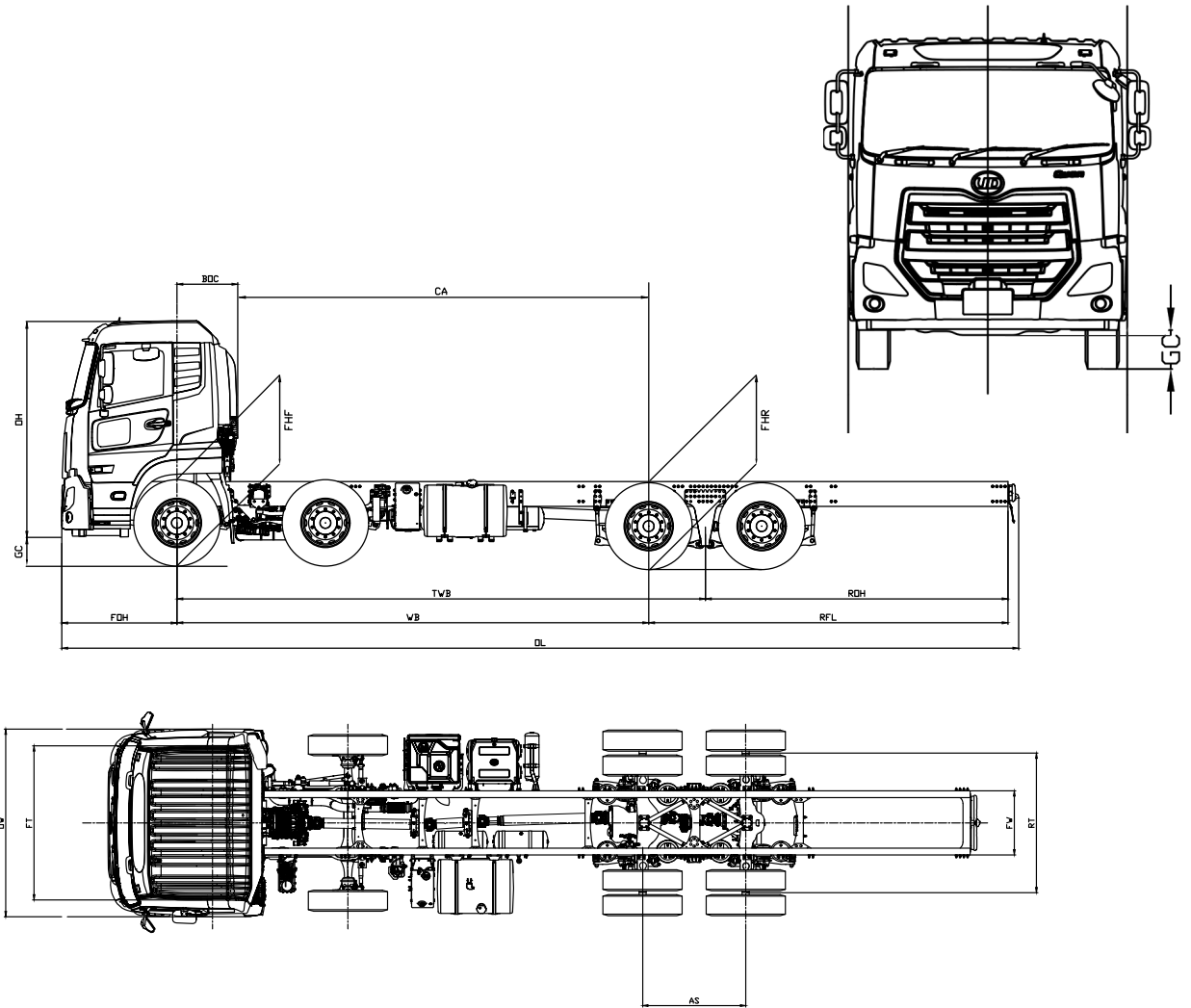
Side windows:	Power operated door glass
Security:	Remote central locking with immobiliser
Air conditioning:	Fully automatic climate controlled airconditioning with recirculation filter
Multimedia unit:	6.5" capacitive multi-touch screen TFT 800x480 RGB min USB: 1 x front, 3 x rear automotive 2GB RAM and 16GB total flash memory Bluetooth 4.1 - A2DP with hands free, phone contacts transfer, call history & SMS WIFI embedded 802.11 b/g/n Built in Gyro Built in chipset GPS with external antenna Internal microphone with optional external Camera inputs: 4 inputs, reverse, body, left & right side. Hardwire reverse camera input with CAN interface
Storage:	Multiple in-cab compartments
Power outlet:	24 volt 240W & 12 volt 120W in dash
DIN accessory fitment:	Two DIN sized compartments
Floor covering:	Vinyl

EXTERNAL CABIN

Cab Description:	Forward control, pressed steel construction
Mounting type:	Full floating, 4 bag air suspended cab with 4 dual acting shock absorbers and dual automatic height control valves
Cab paint:	Standard – Polar White
Bumper type:	3 piece with steel corner panels
Mirrors:	Heated and electrically operated main mirrors with flat glass, wide vision and passenger-side downward facing spot mirrors
Lamps:	LED head lamps (low beam) Bumper mounted fog lamps Roof mounted clearance lights
Wipers:	Triple arm, 2 speed wipers with variable intermittent operation and integrated washers
Reversing system:	Reverse beeper

WEIGHTS AND DIMENSIONS (approx.)

Variant	Model	WB Code	GVM	GCM	Front Tare	Rare Tare	Total Tare	WB	TWB	OL	OW	OH	FT	RT	FW	AS	FOH	ROH	RFL	BOC	CA	GC	FHF	FHR	Turning Radius
Leaf	CG30360	P	28,500 kg - Allison	28,500 kg - Allison	5480	3060	8550	4500	5185	8337	2490	2990	2044	1833	850	1370	1392	1760	2445	735	3765	262	1048	1092	8.74



Rated GVM and axle capacities are subject to legal requirements.

Mass is an estimation only based on standard model, 50 litres Diesel fuel, full AdBlue, excludes driver and tools. Based on vehicle with standard wheels and tyres.

WARRANTY

Standard warranty* 24 months / 250,000 kms
Extended warranty** 36 months / 300,000 kms

*For details refer to your UD Trucks New Vehicle Warranty brochure